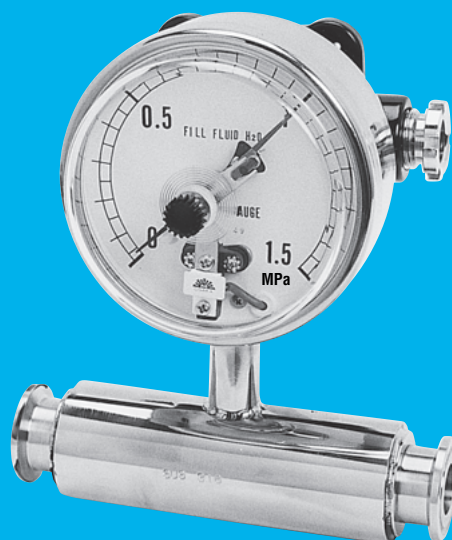


INLINE TYPE CYLINDER SEAL PRESSURE GAUGE



MODEL 871

Description

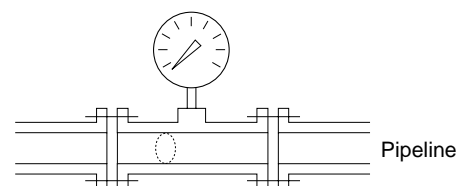
Liquid medium sealed type pressure gauge with the pressure receiving part to be installed into a part of pipeline.

Application

Ideal for the pressure measurement of pipeline in the food, pharmaceutical, cosmetics, semiconductor and biotechnology-related industries.

Features

1. No dead space
The pressure receiving part is a part of pipeline, providing no obstacles to the liquid flow and residue in the line.
2. Hygienic inside
The pressure receiving part is hygienic since the surface is finished by Class 1-buffing on SUS316.
3. Easy to clean
To clean the inside of pipeline, it is possible to clean completely without removing the product.
4. Harmless medium liquid
Medium liquids are safe and harmless to health even if used as food additives.
5. Absorption of pulsation pressure
In the case of measurement condition with pulsation, the damper is installed inside to stabilize the pointer movement.
6. Wide operating temperature range
Can be used in a wide temperature range from -10 °C to +100 °C.



When ordering

(Model) x Pressure range

For flange installation type, enter the nominal flange size and the lead length for capillary type.

Example:

Installation type: Flange

Installation: Capillary type, lead length: 1m

Pressure range: 0 ~ 1MPa

Flange JIS10kgf/cm²
In the case of 1inch

Therefore:

871-BVx1MPa, lead length: 1m

Flange JIS10K1B



ASAHI GAUGE MFG. CO., LTD.
JAPAN

Standard specifications

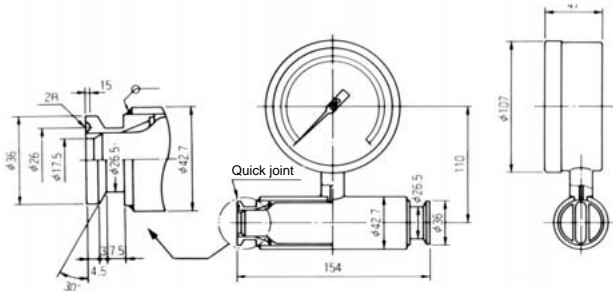
2 Installation Types	Installation division	Model	Indicator 3				Pipeline		Liquid medium	Max. lead length	Pressure range		Temperature of pressure receiving part	Ambient temperature	Accuracy	Weight (approx.)																									
			Shape	Case structure	Size	Case material	Finish	Central section			Length	Compound					Pressure																								
Ferrule type	Non- capillary type	871-J	A	1 Drip- proof	100	SUS 304	Ground color	Flat oval area: 2.4cm ²	154	Silicon	-	MPa - 0 ~ 0.4 ~ 0.6 ~ 1 ~ 2	MPa 0 ~ 0.2 ~ 0.4 ~ 0.6 ~ 1 ~ 1.5 ~ 2 ~ 2.5	- 10 }	- 5 }	± 1.6 %F.S (5 ~ 35)	4.3kg																								
	Capillary type	871-JV	B				Silver gray																																		
Screw type PF1(M)	Non- capillary type	871-N	A				Ground color				-	-	-					-	-	-	-	-	-	-	-	-	-														
	Capillary type	871-NV	B																									Silver gray													
Flange type	Non- capillary type	871-B	A																									Ground color	-	-	-	-	-	-	-	-	-	-	-	-	-
	Capillary type	871-BV	B																																						

Special specifications

- Product with pointer contacts (Upper/Lower 2-contact) and micro switch (Upper/Lower limits 2-contact) are available.
Inline part length is 250 mm in the case of the product with micro switch.
- Glycerin filled indicator for places with violent pulsation pressure is available.
- Pressure transmitter is available. (With the filed indicator and 4-20mA DC output)
- 150 size of indicator is available.

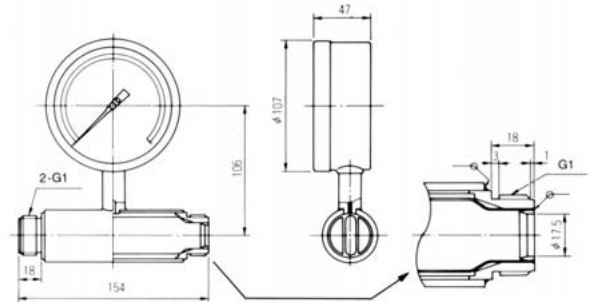
- Case structure = Screw lid type for A type.
Bayonet type for B type.
- For Ferrule connection, IDF Ferrule is available in addition to the dimension table. The minimum of flange size is JIS5kgf/cm² 1B, JIS10kgf/cm² 3/4.
- Equipped with zero adjustment pointer.
- Consult us if the temperature exceeds +100 C.

Ferrule type non capillary 871-J

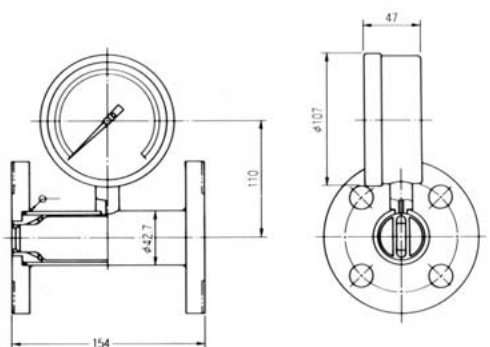


Ferrule shows an example.

Screw type non capillary 871-N

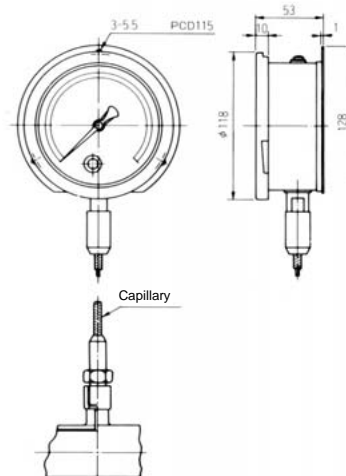


Flange type non capillary 871-B



FF flange	_____
RF flange	_____

Capillary type 871-J /871-NV/871-BV



Note) Specifications are subject to change without notice.