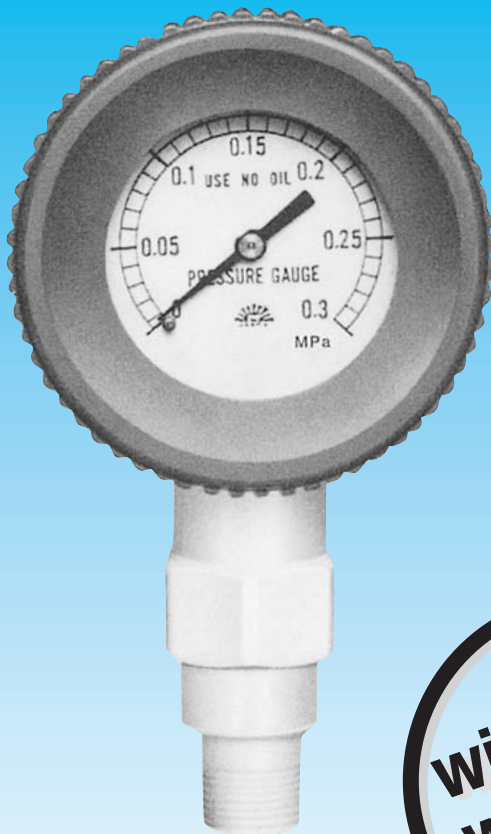


Utility Model
Applied For

CATALOG No.S1003

Chemicals-Resistant Pressure Gauges



with PTFE
wet parts
polytetrafluoroethylene

Chemicals-Resistant
Pressure Gauges
with PTFE wet parts

ANTI- CHEMICALS PRESSURE GAUGES

Features

- Wet parts, made of resin fluoride (PTFE), withstand corrosion either by the ambience or specimen and produce no oxides.
- The bellows-type pressure-receiving part is free from trapped liquid or allows no sealed-liquid to leak into the liquid being measured even in case of an operation trouble.
- The hard vinyl chloride case protects the gauge from adverse ambient conditions.

Application

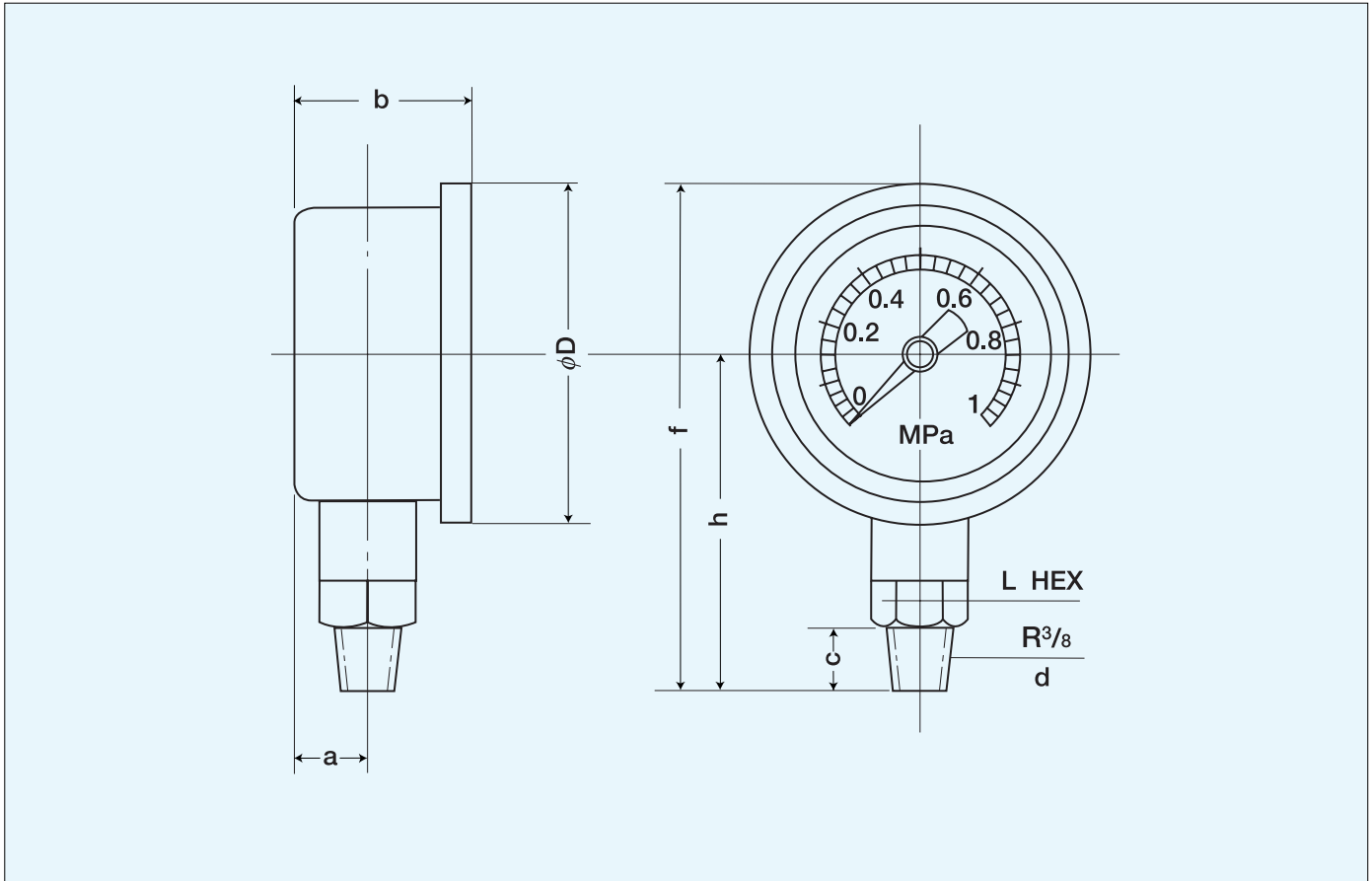
- Semiconductors
- Chemicals
- Medical equipment
- Chemical industries
- Food production
- Paints
- High-purity fluids, etc.



ASAHI GAUGE MFG. CO.,LTD.
JAPAN

Chemicals-Resistant Pressure Gauges

Outside dimensions



Outside diameters and size and shape of the connection

Type	Nominal dimensions (ϕ)	a	b	c	d	D	f	h	L
A	50	18	48	18	R ³ / ₈	75	122	84.5	HEX 27
A	75	18	48	18	R ³ / ₈	100	134.5	97	27

- Unit: mm.
- Available pressure ranges: 0.1 MPa, 0.3 MPa, 0.5 MPa, 1 MPa, -0.1 MPa.
- Materials:
 - Case: hard vinyl chloride.
 - Wet parts: resin fluoride (PTFE).
- Note: Consult the manufacturer if the specimen to be measured involves pulsations.

Note: These specifications may be changed for improvements without notice.

