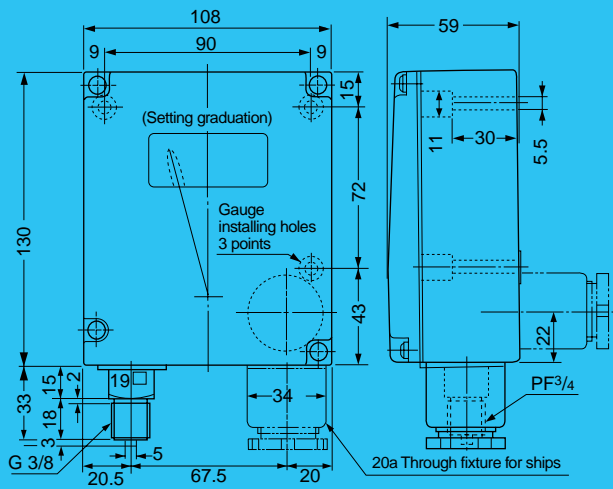


HM-TYPE PRESSURE SWITCH

HM-type Pressure switch

Outline dimensions



Description and features

These pressure switches have been developed under demands of durability and high accuracy, providing the characteristics that are not found in the conventional products of the similar group.

1. Designed to withstand extremely severe conditions with its excellent vibration-resistance and durability, even applicable for ships.
2. Highly-performance Bourdon-tube based on the experiences for many years is used as the pressure element.
3. Outstanding performance is available for repeatability and maintaining high accuracy since no bearing system is used for the operating mechanism.
4. Outdoor installation is possible since the case is the drip-proof type in regard to the ambient atmosphere.
5. Installation is carried out from the inner position, accordingly many switches can be placed one by one closely.

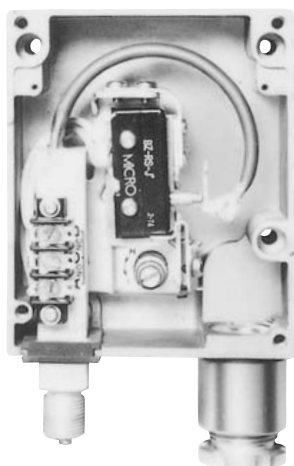
Model

HM-NOOO-10(5.5)

Setting value (Only for non-setting scale type.)	Code	
	1	SUS316
Pressure	Code	
	2	Diaphragm seal type
Kind	Code	
	0	Single-pole double-throw SPDT
Contact type	Code	
	0	Single-pole double-throw SPDT
Contact ON/OFF differential	Code	
	0	Fixed type
Setting type	Code	
	1	Adjustable type(Only H contact)
Setting type	Code	
	N	Without setting scale
	S	With setting scale



Inner structure



Characteristics

Setting accuracy: Within $\pm 3\%$
 Repeatability: Within $\pm 1\%$
 Contact capacity: (Non-inductive resistance load)
 SPDT: AC250V 15A, DC125V 0.4A
 Voltage resistance:
 AC1,500V 1 minute
 Insulation resistance:
 More than 100M Ω at DC 1,000V

Standard specifications

Standard scale	Contact ON/OFF differential	
	Fixed type	Adjustable type
	SPDT	SPDT
0 ~ -0.1MPa	3 ~ 9%	-
0 ~ 0.1MPa	"	-
0.3MPa	"	10 ~ 17%
1MPa	1 ~ 3%	"
1.5MPa	"	"
3.5MPa	"	"
7MPa	"	"
10MPa	"	"
25MPa	1 ~ 2%	"
50MPa	"	"
100MPa	"	"

Note:

1. means the scope of manufacturing.
2. Wet parts material complies with the table for SUS group. However, the pressure is up to 50MPa.
3. For the diaphragm type, it is the same as Item 2, but the pressure is less than 10MPa.
4. SPDT means a single-pole double-throw contact with 3 terminals.
5. The contact ON/OFF differential fixed type means that the ON/OFF differential of the switch contact is fixed. The adjustable type means the ON/OFF differential of the switch contact can be adjusted.
6. The operating pressure up/down speed should be in the range of 0.004~11 seconds which is converted by the full span.

Operation type

