

Asahi Gauge

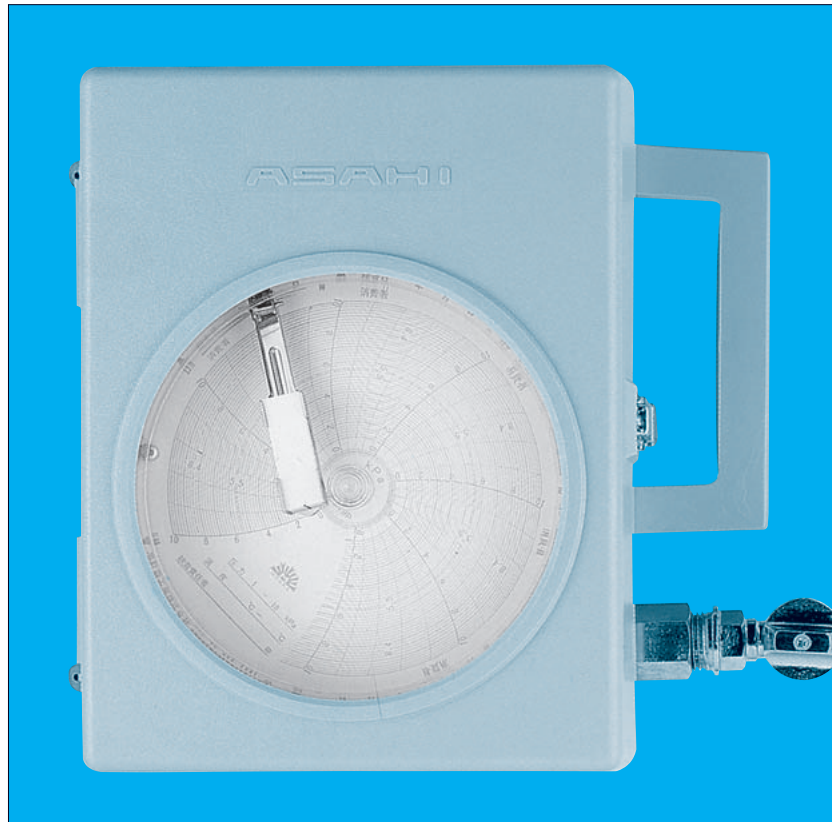
the dedicated manufacturer of pressure gauges

Ideal for **pipeline air-tightness tests**

gas leak detection

PR-1100 **adjuster function tests**

Air-tightness and leak test standards have been changed as a result of recent revision of the government regulations on the consumption and supply facilities of liquefied petroleum gas (LPG). This self-recording gauge is an ideal portable tester designed for use in testing LPG supply and consumption facilities and equipment.



Features

- **Drip-proof resin case**

Tough enough to withstand rain, stains and impact and maintain its initial refined appearance.

- **Recorder window**

Convenient to monitor the testing pressure and recording status from outside.

- **One-touch timer**

A desired testing time is effortlessly preset by turning the lever on the chart dial plate. The tester automatically stops when it has consumed the preset time. No worry about a lost key of the conventional timer.

- **Inkless recording**

A long-life felt-tip pen has resolved various problems of the printing ink that was used in the data recorder.

- **Easy paper change**

The fit-in type recording paper is readily changeable.

- **High accuracy**

The indication and recording mechanism with miniature bearings is accurate and rugged. It has a zero-point adjuster.

- **Applicable to controller tests**

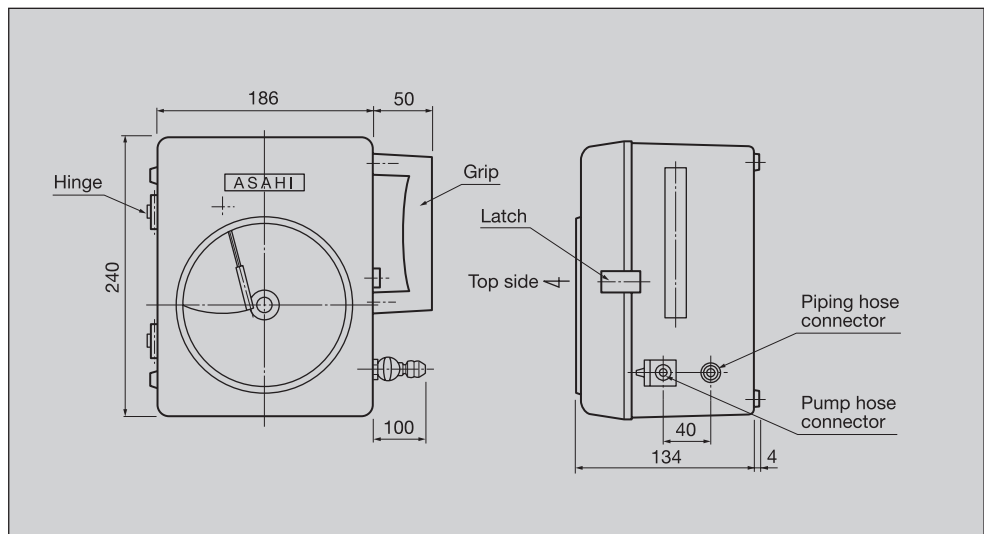
This tester is capable of the testing of controllers.

Specifications

The major specifications are based on the governmental regulations on the securing of LPG safety and the rectifying of its trading.

Measuring pressure range:	water column, 1 to 10 kPa	Air-tightness test pressure:	20 kPa
Recording paper diameter:	150 mm	Outside dimensions:	186 × 240 × 136 mm
Smallest graduation:	0.2 kPa (water column)	Connection ports (2 places):	(1) 3/8B, hose end (2) 3/8B with cock, hose end LPG rubber hose connectible.
Recording time:	1 turn, 30 min.	Recording method:	Felt-tip pen
Recording accuracy:	not more than ±0.2 kPa (water column)		
Working temperature range:	-10 °C to +40 °C		
Pressure endurance:	30 kPa		

Outside dimensions

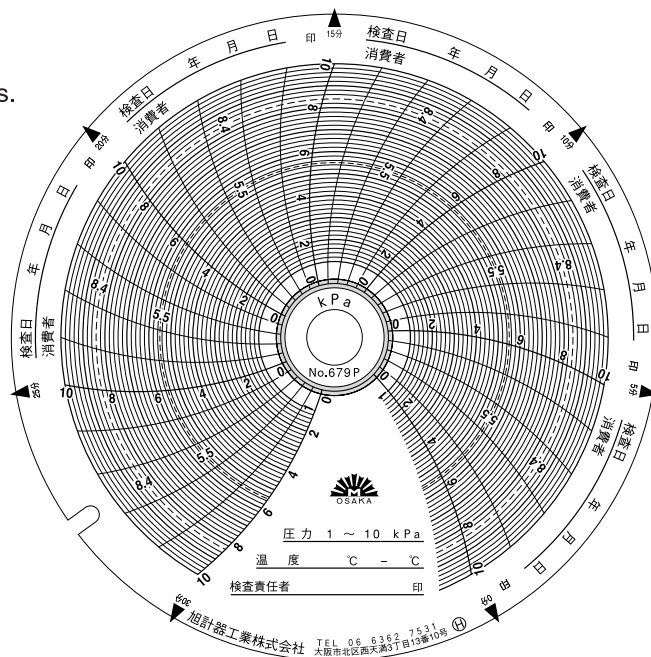


Standard accessories

- (1) Felt-tip pen (green), 1 piece.
- (2) Graph paper (#679P), 100 sheets.

Optional accessories

- (1) Shoulder bag.
- (2) Two-piece rubber ball.



Recording paper

Note: These specifications may be changed for improvements without notice.

