

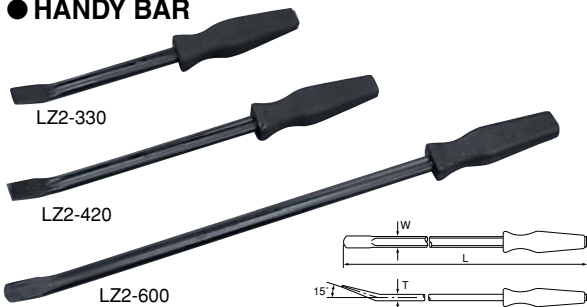
HANDY BAR

No.	Name	W	T	L	▼g	☒
LZ2-330	Handy Bar, Mini	19	10	330	530	5
-420	Handy Bar, Short	9	10	420	635	5
-600	Handy Bar, Long	19	10	600	800	5

Purpose

- Prying : For adjusting tension belts such as V-belt
- Widening : For removing missons from engines
- Drawing : For separating struts and lower arms
- Drawing : For drawing drive shafts from missions (def)
- Drawing : For removing oil seals, gears, bearings, etc.

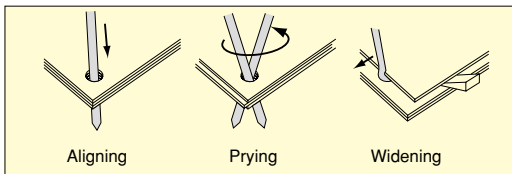
● **HANDY BAR**



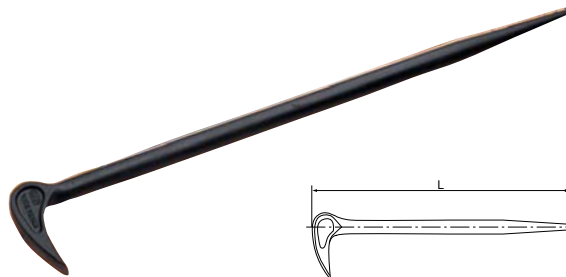
ROLLING WEDGE BAR

No.	Shank Dia.	L	▼g	☒
LZ1-450	ø16	410	685	1

• Convenient tool aligning, prying, widening, hitting, etc.



● **ROLLING WEDGE BAR**

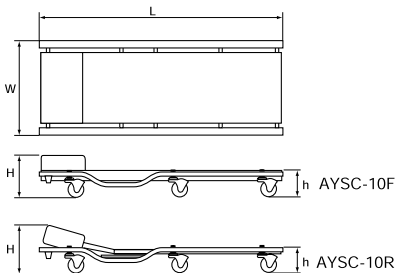


SERVICE CREEPER

No.	L	W	H	h	Special Features	▼kg	☒
AYSC-20F	1030	440	105	85	6 wheels type for superb operationability Big sized head rest applied for easy operation	7.5	1
-20R	1030	440	125 ~240	90	Made of sponge Made of urethane with head rest	8.5	1

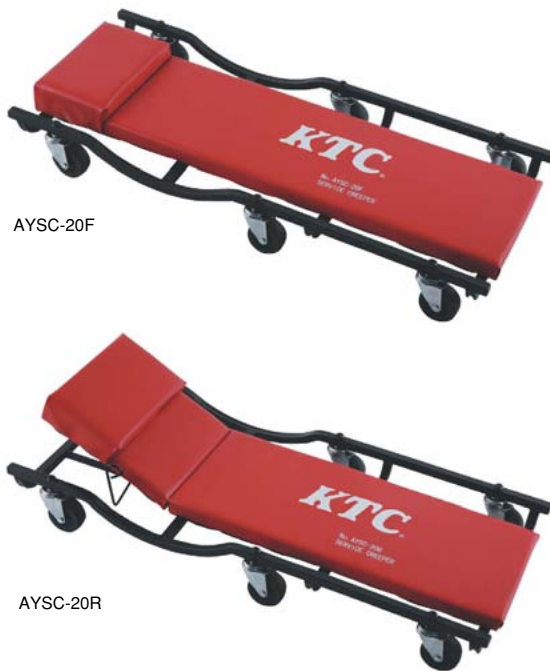
• All items have swivel castors for good movability.

- CAUTION** • DO NOT USE ANY CASTORS WHICH ARE WEARED, OLD OR CANNOT TURN SMOOTHLY
• DO NOT USE ON ANY SLOPE AND/OR ROUGH SURFACE.



*Castors are set as replacement parts.
Check with your dealer for details.

● **SERVICE CREEPER**



FENDER COVER

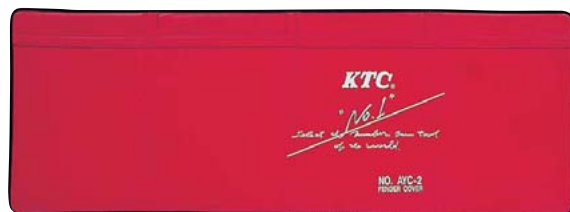
No.	Size	▼g	☒
AYC-2	400x1100	750	1

Features

- Built-in magnet rubber in 4 positions make attachment to fender easy.
- With folding (stitches) easy to set on the fender.
- Inside is made of soft cloth that does not hurt the body, while outer surface is soft vinyl leather which absorbs shock.
- Work on car suspension possible even when the cover is on. Long enough to cover long nose cars.

- CAUTION** • DO NOT USE IN PLACES WHERE MAGNETISM MAY AFFECT ELECTRONIC PARTS, ETC.
• MAGNET RUBBER PART TENDS TO COLLECT STEEL POWDER. REMOVE THE POWDER BEFORE USE.

● **FENDER COVER**



*Please check the merchandise inventory for a product that is marked by before placing an order.