

# Truck & Bus (Large & Small) specified tool series

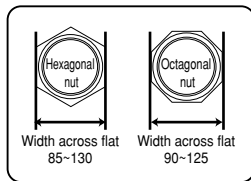


\*3/4"sq drive tool (sold separately) is required for operation.

## HOUSING NUT WRENCH FOR LARGE VEHICLES (FOR HEXAGONAL AND OCTAGONAL NUTS) D.PAT.P



Metal case is included



### HOUSING NUT WRENCH FOR LARGE VEHICLES (FOR HEXAGONAL AND OCTAGONAL NUTS)

|  |       |     |
|--|-------|-----|
| No. AS351  | ▼Kg 4 | 📦 1 |
| Housing nut wrench for large vehicles (for hexagonal and octagonal nuts) 1 |       |     |
| Metal Case (245x140x110)   |       |     |

\*Replacement parts are available. Check with your dealer for details.

#### Usage

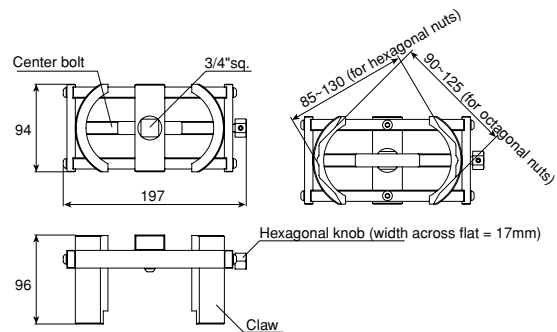
- Loosening / tightening of the rear housing nuts

#### Application

- Width across flat rear housing nuts used in heavy vehicles (over 4t)

#### Characteristics

- Compatible with both hexagonal and octagonal types  
Specially designed claw to fit both hexagonal and octagonal types
- Special design helps avoid slipping.  
Claws are specially designed to firmly hold the surface of the nut.
- Size is easily adjustable.  
Adjust size simply by tightening hexagonal knob with a 17mm drive tool.



## HOUSING NUT WRENCH FOR SMALL VEHICLES (FOR CIRCULAR NUTS)



\*1/2"sq drive tool (sold separately) is required for operation.

### HOUSING NUT WRENCH FOR SMALL VEHICLES (FOR CIRCULAR NUTS)

|   |        |     |
|---|--------|-----|
| No. AS352   | ▼g 450 | 📦 1 |
| Housing nut wrench for small vehicles (for circular nuts) (Main body) 1 |        |     |
| Pin A (for pin-hole diameter $\phi 6.8-9$ ) 2                           |        |     |
| Pin B (for pin-hole diameter $\phi 9.1-10$ ) 2                          |        |     |
| Wing nut 2  |        |     |

\*Replacement parts are available. Check with your dealer for details.

#### Spare parts

| Product name | No.     | Tip diameter |
|--------------|---------|--------------|
| Pin A (2)    | AS352-2 | $\phi 6.5$   |
| Pin B (2)    | -3      | $\phi 9$     |

#### Usage

- Loosening / tightening of the rear housing nuts

#### Application

- Width across flat rear housing nuts used in small vehicle (over 2t)

#### Characteristics

- Compatible with both hexagonal and octagonal types.  
Pitch is adjustable by sliding the pin.
- Easy to position  
Easy to center as a scale is marked on the wrench.

