

REAR HUB PULLER FOR LARGE VEHICLES

No. AS353	▼kg 3.5	📦 1
Rear hub puller for large vehicles (Main body)		
Center bolt		1
Spacer		1
Metal Case (245×140×60)		

Spare parts

Product name	No.	
Center bolt	AS353-2	
Spacer	-3	

Usage

- For removal of rear wheel hub

Application

- Rear wheel hubs that are used in large vehicles (over 4t), which fulfills conditions below.
 - 8 or 10 holed (number of axle shaft attachment bolts)
 - P.C.D. 140~188mm
 - The size of axle shaft attachment bolt = M12~16

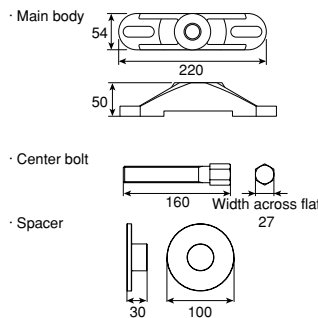
Characteristics

- Aluminum wheel will not be scratched or damaged. Aluminum wheels will not be scratched as the tool is attached to the axle shaft attachment holes using the axle shaft attachment bolt.
- Light and compact Simple to set up.
- Removal operation made easy Hub is easily removed by tightening the bolt with an off-set wrench, or a socket with a drive tool (with 27mm width across flat).

REAR HUB PULLER FOR LARGE VEHICLES



Metal case is included



*An off-set wrench (with 27mm width across flat) or a socket with a drive tool (sold separately) is required for operation.

FRONT HUB PULLER FOR LARGE VEHICLES

No. AS354	▼kg 12.1	📦 1
Front hub puller for large vehicles (Main body)		
Center bolt		1
Arm M20		2
Arm M22		2
Arm M24		2
Metal Case (380×240×75)		

Spare parts

Product name	No.	
Center bolt (1)	AS354-2	
Arm M20 (2)	-3	
Arm M22 (2)	-4	
Arm M24 (2)	-5	

Usage

- For removal of front wheel hub.

Application

- Front wheel hubs that are used in large vehicles (over 4t), which fulfills conditions below
 - 6, 8, or 10 holed (6/8-hole: JIS system, 10-hole: ISO system) wheels
 - P.C.D. 222.25~335
 - Hub bolt size = M20×1.5, M22×1.5, M24×1.5

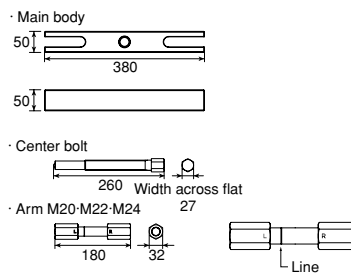
Characteristics

- Aluminum wheel will not be scratched or damaged. Aluminum wheels will not be damaged as hub is removed by attaching this tool to hub bolts.
- Hub can be removed on both left and right wheels with just 1 arm. The arm is engraved with "L" and "R" to distinguish between left and right wheel.
- The tool comes with 3 arm types. There are three types of hub bolt size - M20, 22, and 24. The different sizes can be distinguished with number of lines on the arm. (M20: 1 line, M22: 2 lines, M24: 3 lines)

FRONT HUB PULLER FOR LARGE VEHICLES



Metal case is included



*An off-set wrench (with 27mm width across flat) or a socket with a drive tool (sold separately) is required for operation.

CHAIN TYPE OIL FILTER WRENCH

No.	▼g	📦
AE502	600	1

Usage

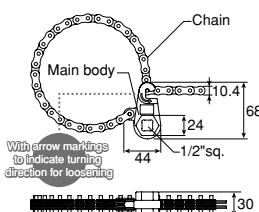
- For removal of cartridge type oil filters from standard-heavy vehicles

Application

- For cartridge type oil filters with outer diameter of 89~142mm (nominal size 89-125mm).

Characteristics

- Light and compact The tool can operate in a narrow space.
- Drive tools can be chosen according to work condition. A 1/2"sq spinner handle or an off-set wrench (with 24mm width across flat) can be used to operate this tool.
- Loosening can be done securely. This tool is structured to prevent chain from coming off.



CHAIN TYPE OIL FILTER WRENCH



*A 1/2"sq spinner handle or an off-set wrench (with 24mm width across flat) (sold separately) is required for operation.