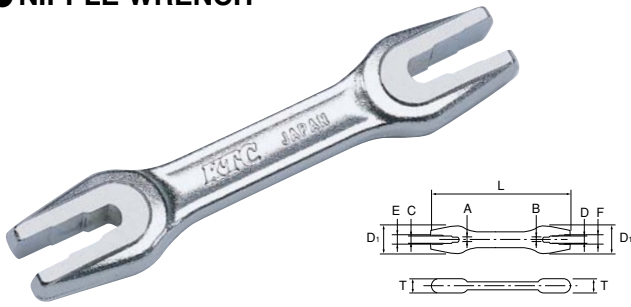


● NIPPLE WRENCH



**NIPPLE WRENCH**

No.	D <sub>1</sub>	A	B	C	D	E	F	T	L	▼g	
MCS2-100	20	4.5	5.1	5.8	6.1	6.4	6.6	10	100	80	1

**Purpose**  
SPECIAL WRENCH FOR FASTENING, ADJUSTING & CHECKING WHEEL SPOKE NIPPLE.

- One wrench applied to 6 sizes (4.5, 5.1, 5.8, 6.1, 6.4, 6.6) covering most of motorcycles.
- Small and light tool convenient for touring, racing etc.
- Drop forged and heat treated body for superb durability.
- The wrench is made with a high thickness (10mm) to help prevent nipples from scratching and losing their shape.

● TIRE VALVE WRENCH

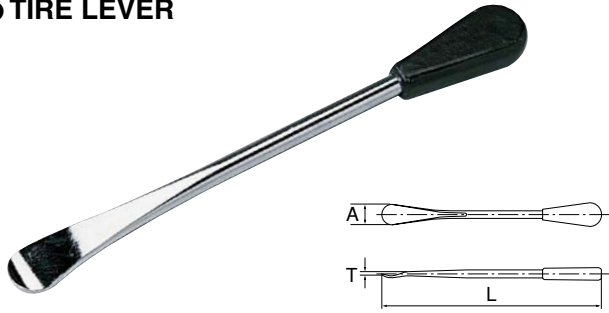


**TIRE VALVE WRENCH**

No.	a	b	D	e	L	▼g	
MVC-30	2.2	4.5	29	15	35	20	1

- Compact size covering many types of motorcycles when conventional long tools cannot be used.
- "Must Have" for repairing flat tires or changing tires/tubes.

● TIRE LEVER

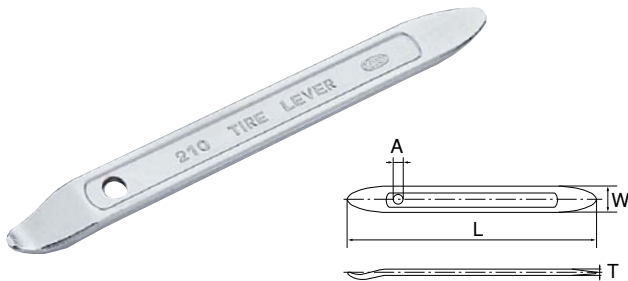


**TIRE LEVER**

No.	A	T	L	▼g	
MCOL-260	23	1	265	170	5

- Thin and smooth tip provides smooth operation.
- Properly heat-treated for superb durability.
- Comfortable rubber handle with oil resistance enables sure gripping.

● TIRE LEVER



**TIRE LEVER**

No.	A	W	T	L	▼g	
OHZ-210	7	22	5.5	210	100	1

- Short body (210mm) convenient for touring, etc.
- Drop forged and properly heat-treated for superb durability.

● INTERCHANGEABLE SCREWDRIVER SET (SOFT GRIP)



**INTERCHANGEABLE SCREWDRIVER SET**

No. DB4	▼g 180
Cross bit for interchangeable screwdriver. (No.2×No.3)	DB4-P
Flat bit (tip width 4×tip width 6)	-M
Handle	-H

- Cr-V is used for shaft material.
- Characteristics**
- 1 bit fits 2 sizes. Removal and insertion is a one-touch operation.
- Soft grip to prevent slippage.
- The shaft is hexagonal (each side of the hexagonal shaft is 6.3mm). The attached bolster (hexagonal width-across flat 12mm) allows the use of an open end wrench for tightening.
- Driver bits that are readily available can also be used. (Where each side of the shaft is 6.3mm and the full length is 65mm and over)

Replacement parts For the interchangeable screwdriver.

No.	Product
DB4-P	Cross bit (No.2×No.3)
-M	Flat bit (tip width 4×tip width 6)
-H	Handle

This model supercedes the KD4.