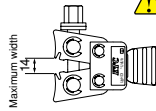
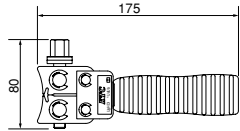
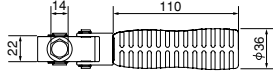


6 Disassembling/Installing drive shaft band

③ Sealing of the boot band



●BOOT BAND TOOL



CAUTION • Make sure that all operators read the Owner's Operator Manual carefully before usage.

BOOTS BAND TOOL

No.	▼g		
AS405	750	1	

Usage

- An exclusive tool used for sealing the boot band on the drive shaft of vehicles
- The tool is compatible with light weight to passenger type vehicles using the sealing type boot band.(Can be used for imported vehicles)
- Sealing is made easy by a simple bolt screw-in operation.
- The operation is faster and easier when using wrenches, such as the ratchet type, etc.(Hexagonal 2-faced width 14mm)
- As the center bolt is fitted with a flange, an offset wrench can be used and the wrench will not slip off.
- A resin grip is employed for the handle to prevent slippage.
- A claw form has been employed to stop the sealing section from rising.

CAUTION • Make sure that all operators read the Owner's Operator Manual carefully before usage.

Method of use

<p>1 Widen the claw by turning the center bolt and allow the sealing section of the boot band to enter.</p> <p>CAUTION Apply molybdene grease over the specified area before operating.</p>	<p>2 Touch the sealing section of the boot band with the claw.</p> <p>CAUTION Do not grasp the boot with the tip of the claw.</p>	<p>3 Tighten the bolt using a 14mm drive tool (offset wrench can be used).</p>	<p>4 Confirm end of operation. Loosen the center bolt and remove the boot band tool.</p> <p>CAUTION Refer to the maintenance manual of the car manufacturer for each individual sealing dimension before carrying out operation.</p>
---	---	--	--

7 The attaching of the drive shaft to the chassis

8 Attaching the wheel

① Attaching the wheel nut
② Checking torque

●IMPACT WRENCH

●WHEEL NUT SOCKET FOR IMPACT WRENCH

●CROSS RIM WRENCH

●OTHER TOOLS

●TORQUE WRENCH SET FOR THE WHEEL NUT

STEERING

All suspension work

1 Loosening and tightening the nuts on truck suspension



●LONG SPINNER HANDLE PAT.P.

LONG SPINNER HANDLE

No.	D	L	▼kg	
BS6-1050	38	1000	3.7	1

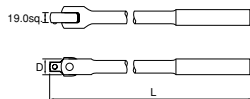
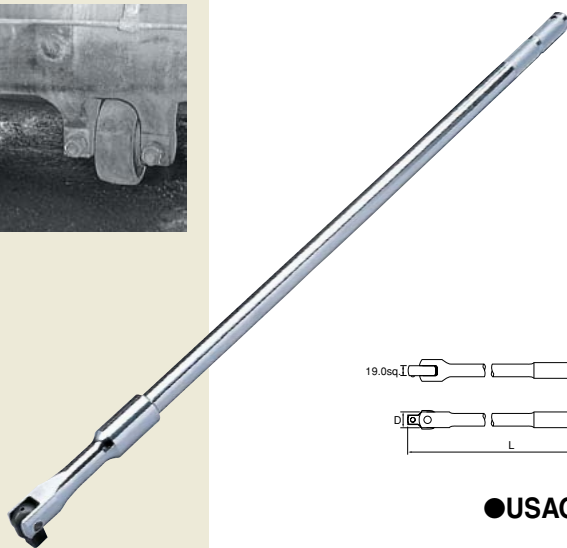
Usage

- Is suitable for construction machinery and large sized vehicles where high torque is necessary.

Characteristics

- The extra long type with a maximum length of 1050mm is suitable for tightening and loosening high torque bolts using minimal strength. (The length is twice of that of the previous BS40-500 model with approximately half the handle load.)
- The handle is light as it employs the mid-air pipe.
- The knurled type grip is easy to grasp and prevents slippage.
- The drive heads (sold separately) can be replaced.

CAUTION • Hold at the grip center in order to avoid jamming your hand in the drive section.
• Take care as to avoid overloading the tool with torque due to its extra length.



Replacement parts: Replacement drive head (repair kit)

No. BS6-K			
Drive head assy.	×1	Pin	×1
Steel ball	×1	Spring	×1
Hex hole stopping screw	×1	Replacement repair parts	×1
Replacement hex shaft wrench	×1		

●USAGE



For the wheel nuts on trucks



For the U bolt nuts on trucks



For maintenance of construction machinery